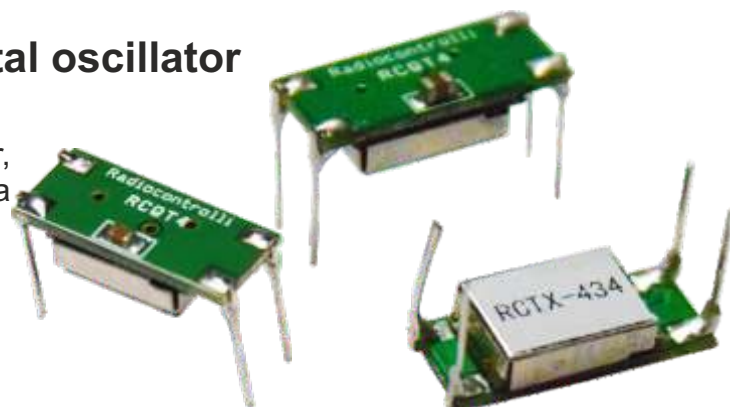


## Radio Transmitter module with crystal oscillator 433.92MHz - ASK/OOK Modulation

RCQT4 is a transmitter module with crystal oscillator, allow to realize a complete Remote Keyless adding a coding circuit.

Available in versions 5Volt and 3Volt.

ASK/OOK Modulation.  
Metallic shield.



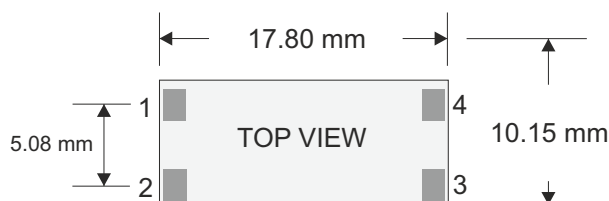
### Technical Characteristics

Characteristics	MIN	TYP	MAX	UNIT
V <sub>CC</sub> Supply Voltage (5 Volt version)	4	5	12	VDC
V <sub>CC</sub> Supply Voltage (3 Volt version)	2.2	3	3.6	VDC
I Supply Current ( TX mode)		21		mA
I <sub>s</sub> Current Consumption (standby mode)		< 1		μA
P <sub>O</sub> RF Power Output		11		dBm
F XTAL Frequency		433.92		MHz
F Frequency Tolerance		+/- 20		KHz
Max Data Rate			50	Kbit/s
Power Up Time			1	Ms
T <sub>OP</sub> Operating Temperature Range	-25		+80	°C

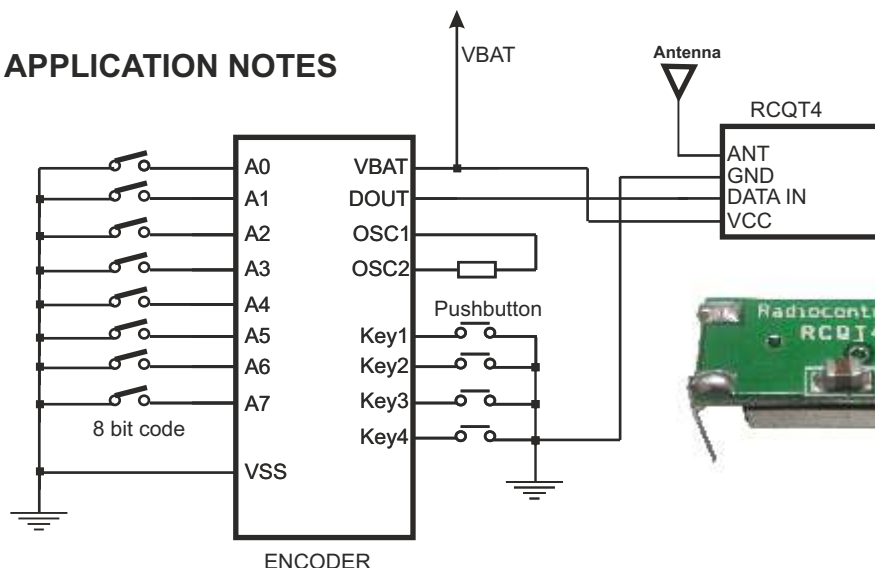
### PIN OUT

Pads	Name	Description
1	VCC	VCC
2	GND	Ground
3	IN	Data Input
4	ANT	Antenna

### Mechanical Dimensions



### APPLICATION NOTES



### Applications :

- Wireless security systems
- Home and building automation
- Automatic Measure Reading
- Wireless Sensor Network